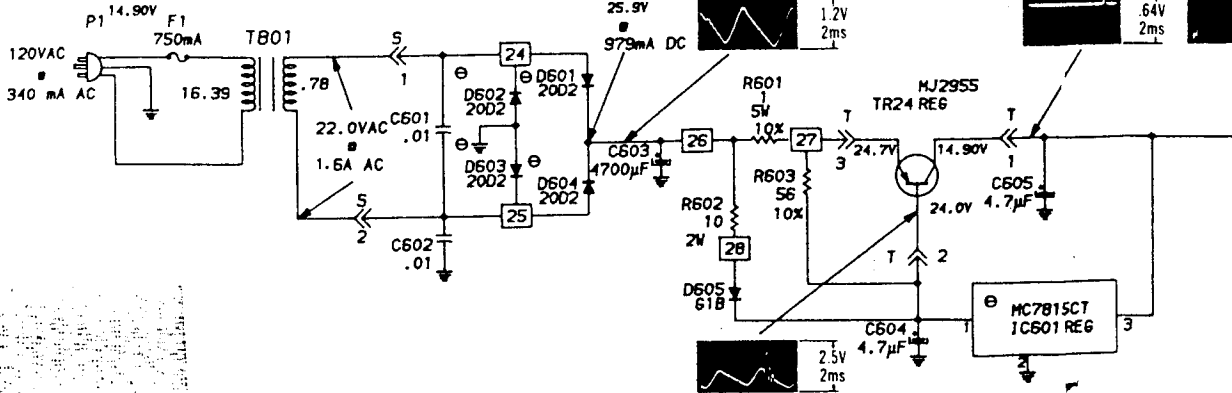
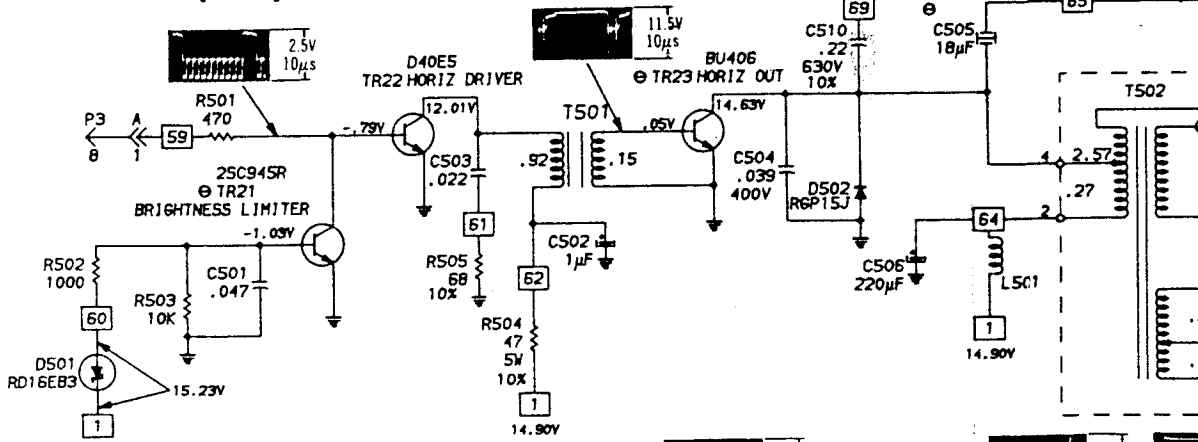
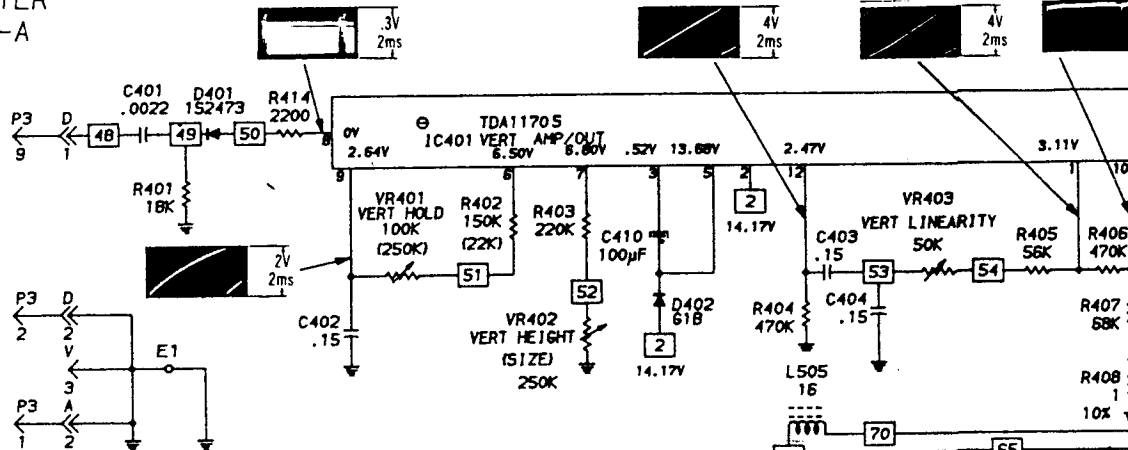
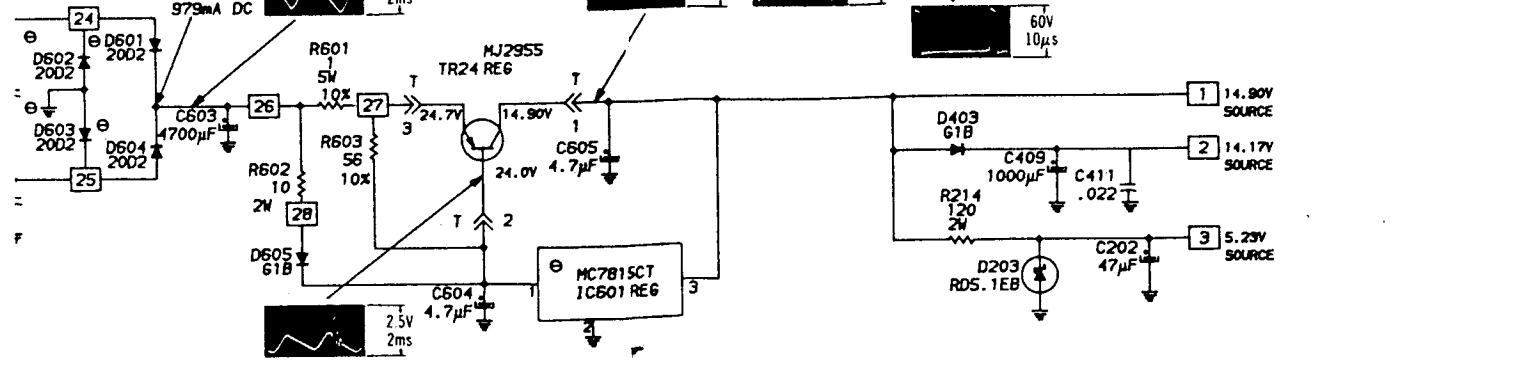
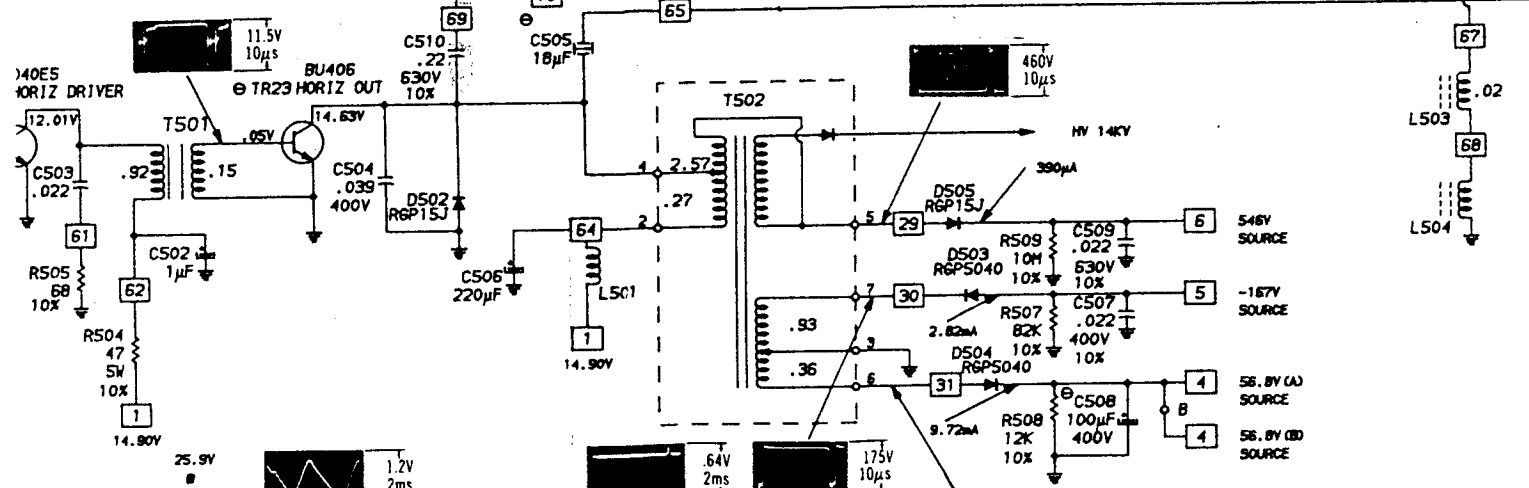
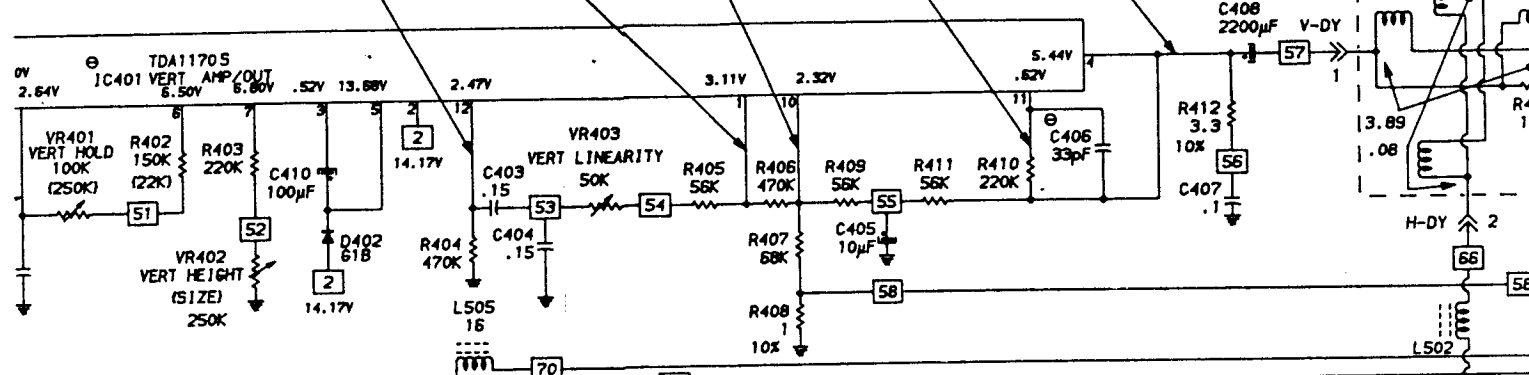
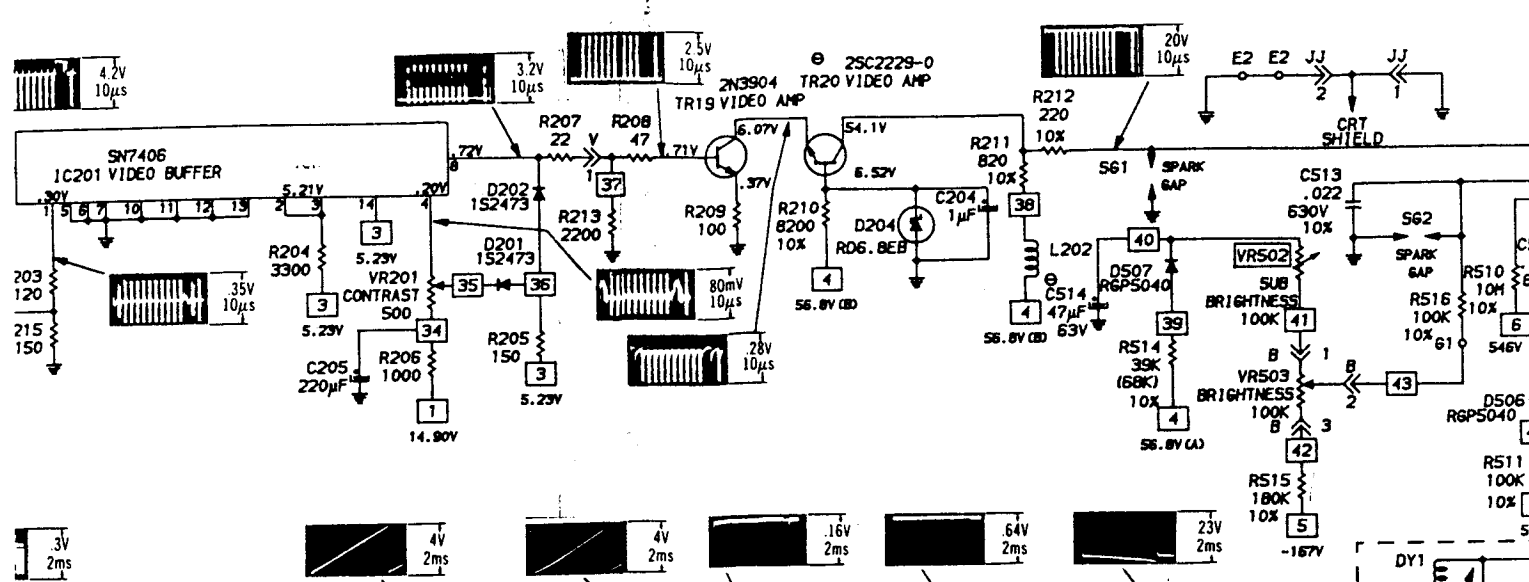
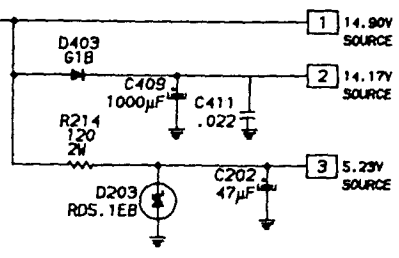
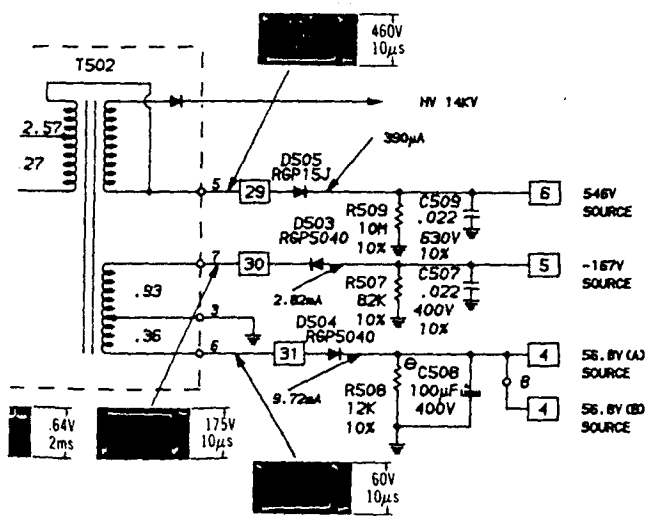
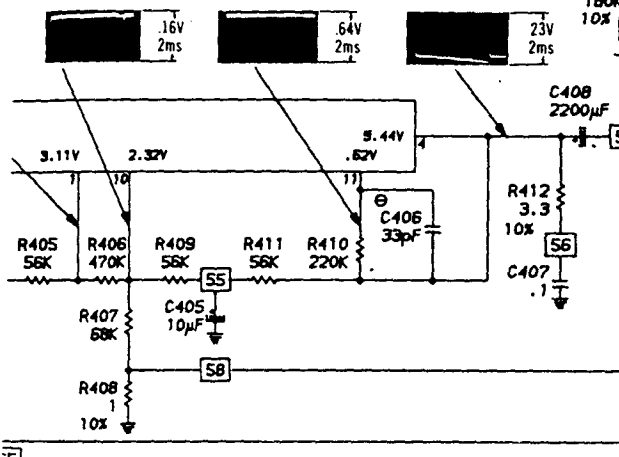
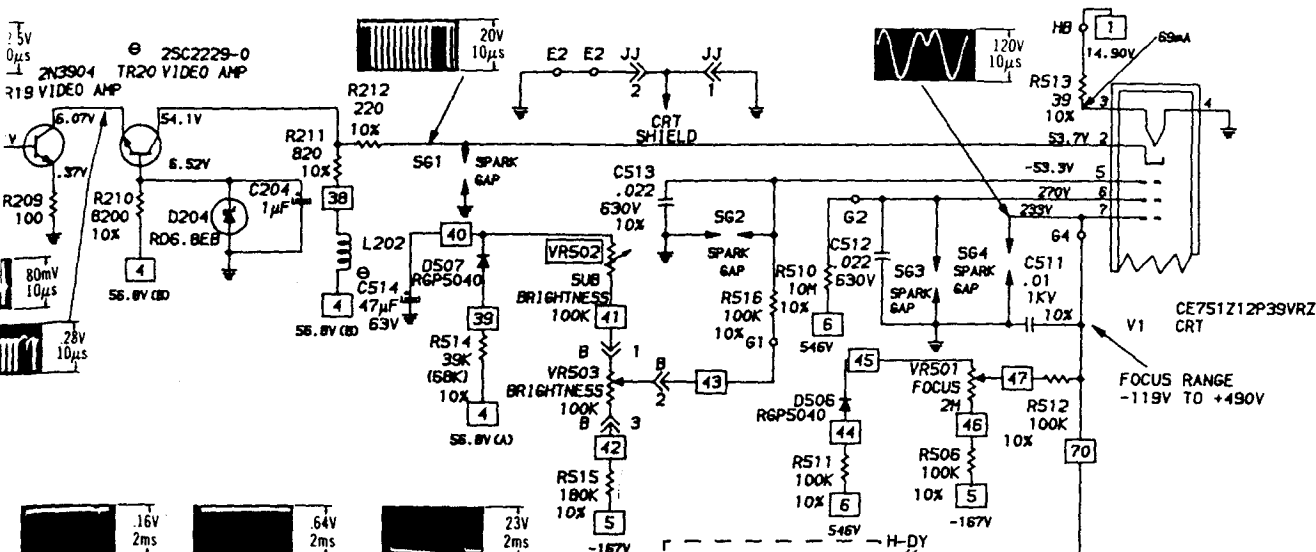


P3 CONNECTS TO J3 OF
MONOCHROME MONITOR/
PRINTER ADAPTER
FOLDER CSCS2-A





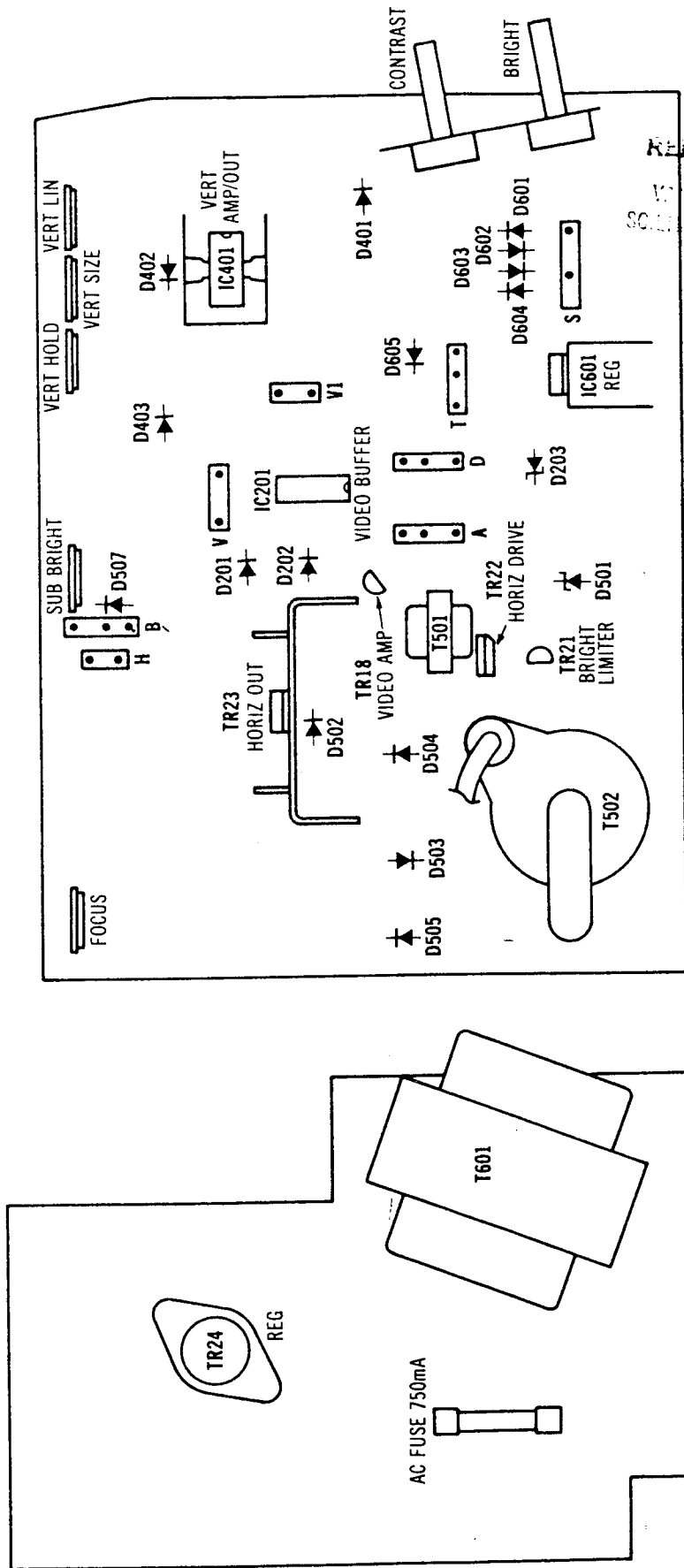
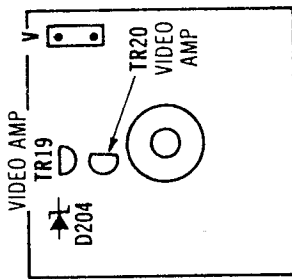


IBM
MODEL 5151

IBM
CMT4-1 MODEL 5151

REPRODUCED FROM THE
VOLUME 1 OF THE
SOLUTIONS MANUAL
VANCOUVER, B.C.

TOP VIEW



PLACEMENT CHART